

Model: DLL-30 X

Data

Type: Semi-hermetic piston compressors

Producer: Copeland

Series: DL

Model: DLL-30 X

Technical data

Cylinder count:	2
Displacement [m ³ /h]:	18,2
Weight [kg]:	91
Oil charge [dm ³]:	2,3
Max. operating current [A]:	7,3
Locked rotor current [A]:	53
Power supply [V/~ /Hz]:	380-420V/3/50Hz

Connections

	<u>milimeters</u>	<u>inches</u>
Suction line:		1 1/8"
Discharge line:		5/8"

Model: DLL-30 X

Capacity

R404A/R507

Cooling capacity [kW]

$t_c \setminus t_e$	-50	-45	-40	-35	-30	-25	-20
20	1.41	2.20	3.18	4.35	5.76	7.41	9.33
25	1.12	1.88	2.81	3.93	5.26	6.83	8.65
30	0.83	1.56	2.44	3.50	4.75	6.23	7.95
35	-	1.24	2.07	3.06	4.24	5.63	7.25
40	-	0.93	1.70	2.63	3.73	5.02	6.53
45	-	-	1.34	2.20	3.21	4.41	5.81
50	-	-	1.00	1.78	2.70	3.80	5.09
55	-	-	-	1.37	2.21	3.20	4.37

Power input [kW]

$t_c \setminus t_e$	-50	-45	-40	-35	-30	-25	-20
20	1.21	1.48	1.75	2.03	2.29	2.54	2.77
25	1.13	1.43	1.74	2.05	2.35	2.65	2.93
30	1.03	1.36	1.70	2.05	2.39	2.74	3.07
35	-	1.26	1.64	2.03	2.42	2.81	3.19
40	-	1.15	1.56	1.98	2.42	2.85	3.29
45	-	-	1.45	1.91	2.39	2.88	3.37
50	-	-	1.31	1.82	2.34	2.88	3.42
55	-	-	-	1.70	2.26	2.85	3.45

Model: DLL-30 X

Capacity

Current [A]

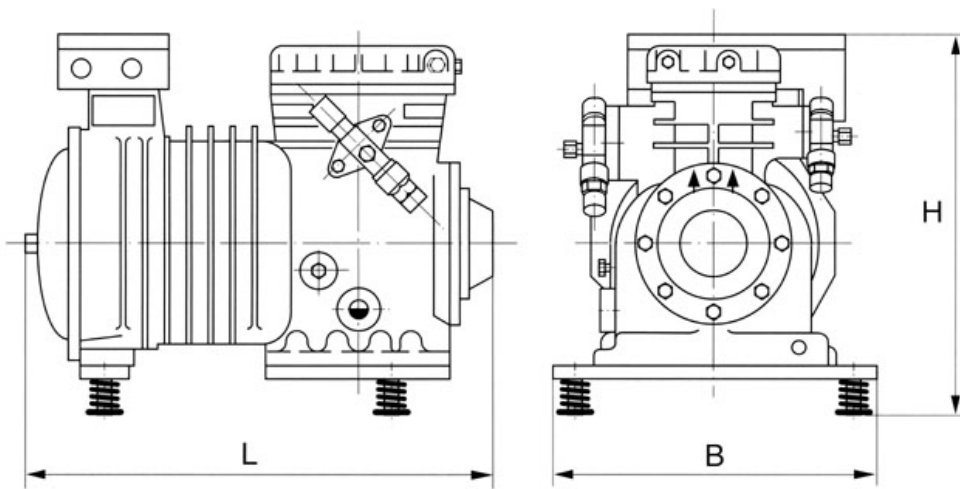
$t_c \setminus t_e$	-50	-45	-40	-35	-30	-25	-20
20	3.39	3.73	4.07	4.42	4.75	5.08	5.38
25	3.33	3.67	4.04	4.42	4.82	5.21	5.61
30	3.27	3.61	3.99	4.41	4.86	5.33	5.82
35	-	3.53	3.93	4.38	4.88	5.43	6.01
40	-	3.43	3.84	4.33	4.88	5.50	6.16
45	-	-	3.73	4.25	4.85	5.54	6.29
50	-	-	3.59	4.14	4.79	5.54	6.37
55	-	-	-	3.99	4.69	5.50	6.42

Mass flow [kg/s]

$t_c \setminus t_e$	-50	-45	-40	-35	-30	-25	-20
20	30.53	48.23	69.74	95.74	126.95	164.06	207.78
25	25.49	43.15	64.59	90.50	121.58	158.55	202.10
30	20.06	37.62	58.93	84.69	115.59	152.36	195.67
35	-	31.63	52.75	78.29	108.96	145.46	188.49
40	-	25.16	46.04	71.30	101.67	137.85	180.52
45	-	-	38.77	63.70	93.71	129.50	171.76
50	-	-	30.93	55.47	85.06	120.40	162.20
55	-	-	-	46.60	75.71	110.54	151.81

Model: DLL-30 X

Dimensions



L	470 mm
B	330 mm
H	385 mm

Model: DLL-30 X

Image

